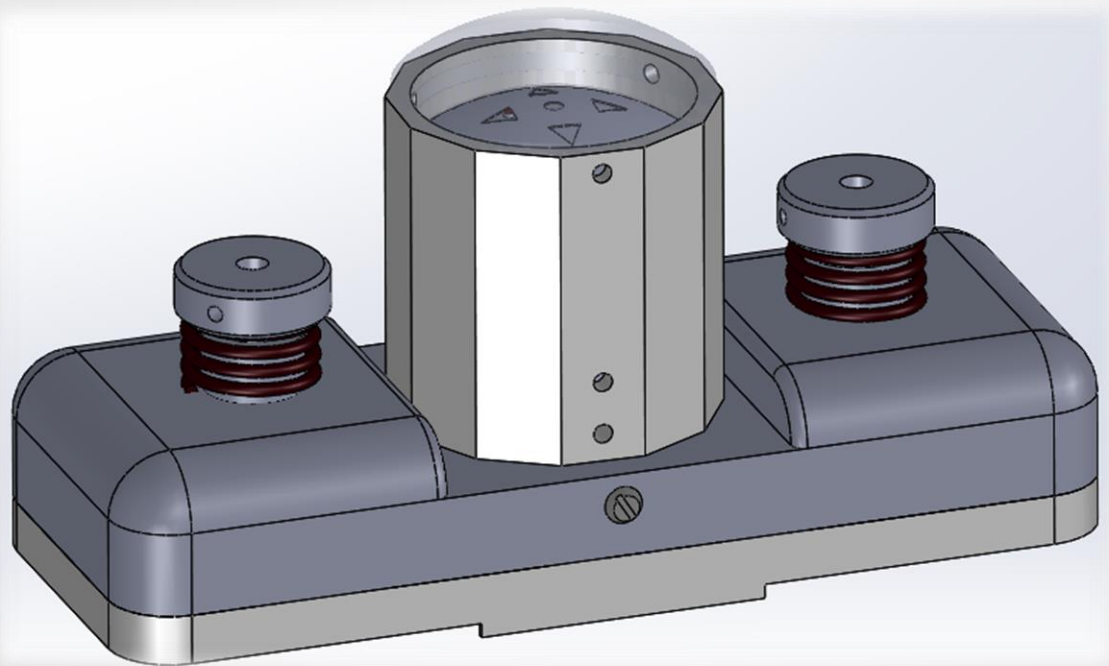


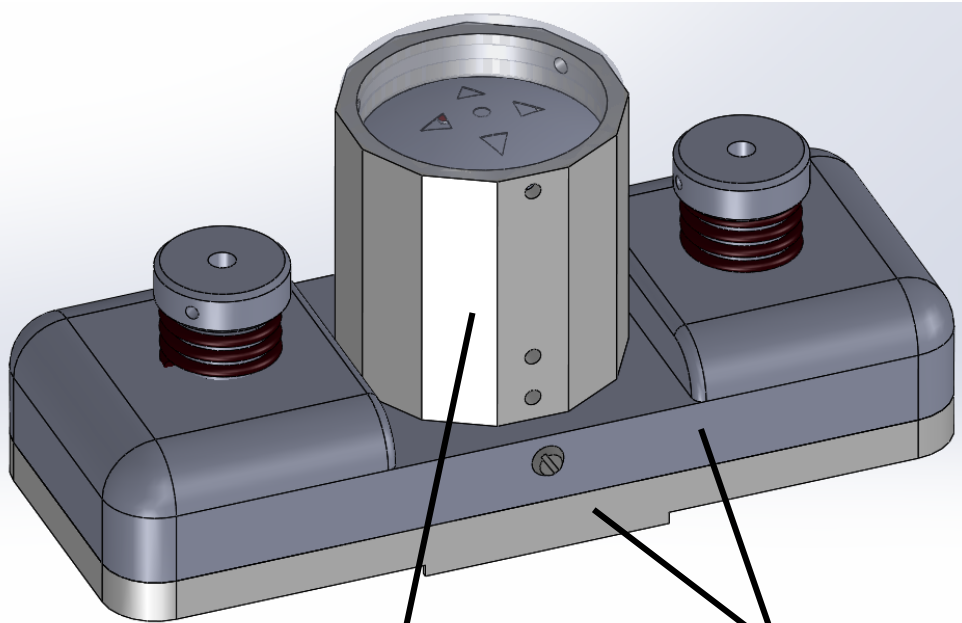
Pilot Hole Searching system PHS



KYOOKA

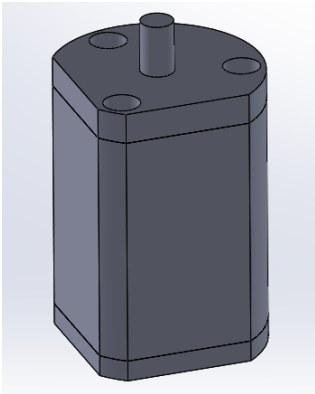
Y.tech

Detail of PHS

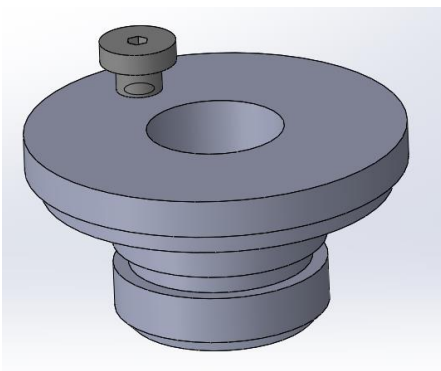


Receiver

Position Base



Transmitter

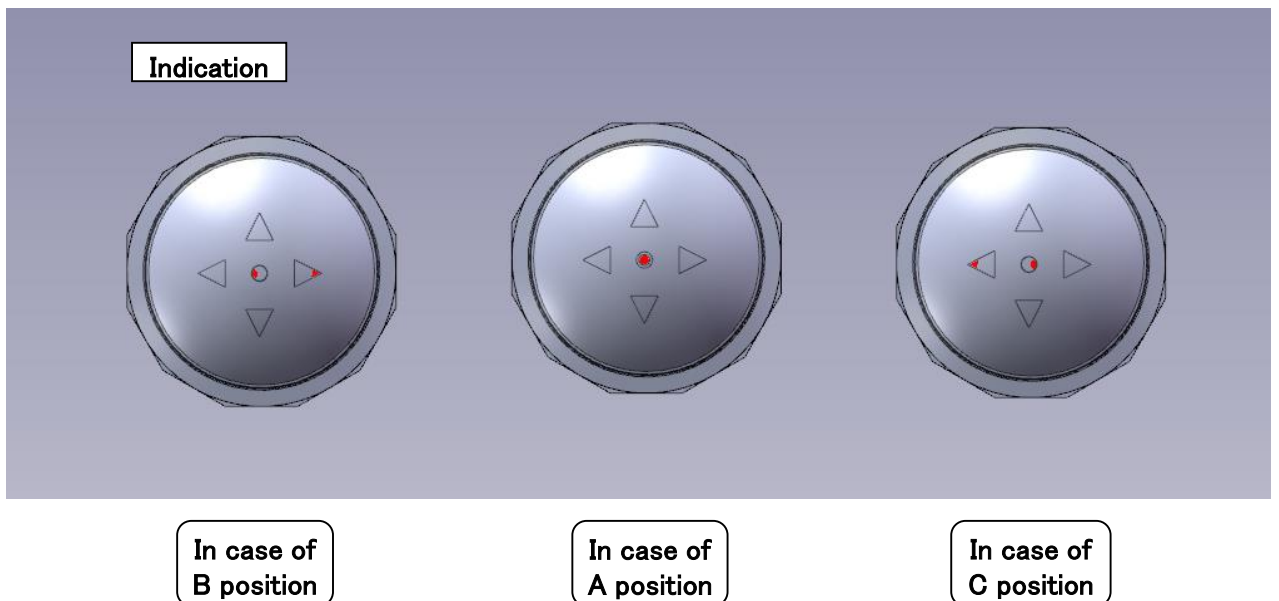
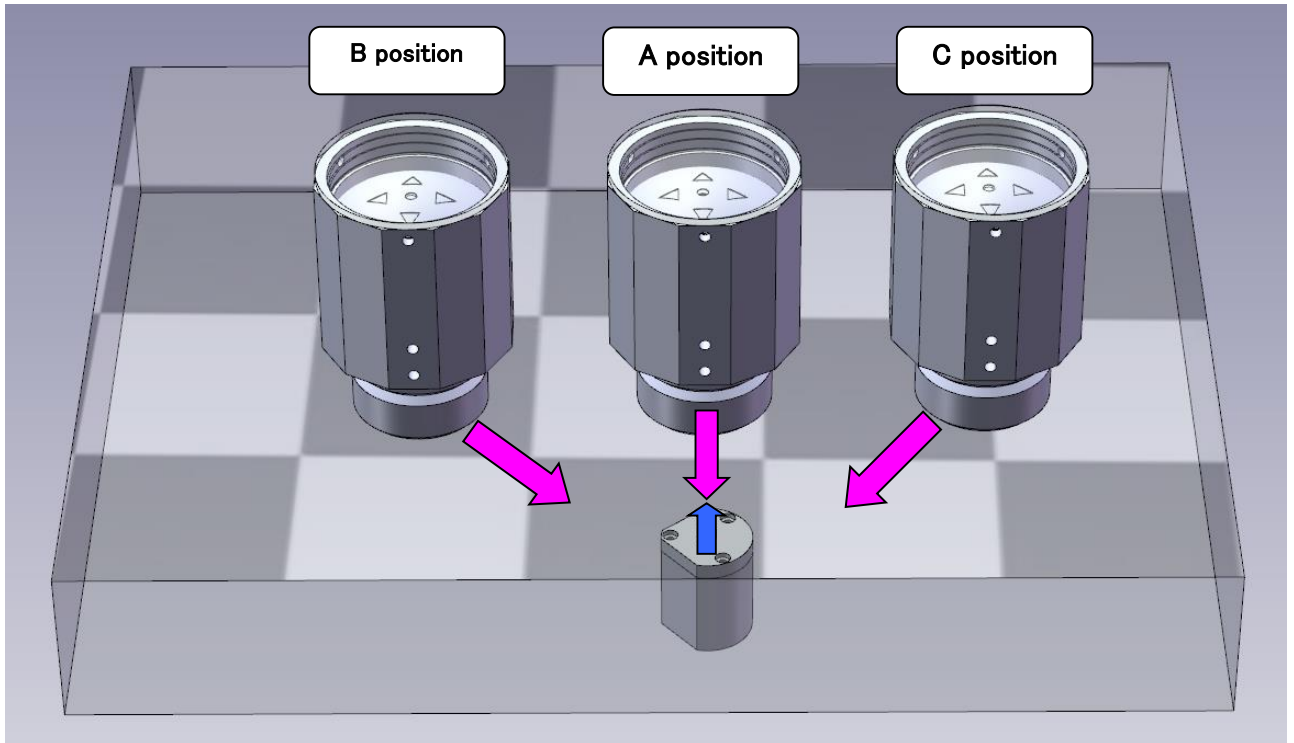


Drill Guide Attachment

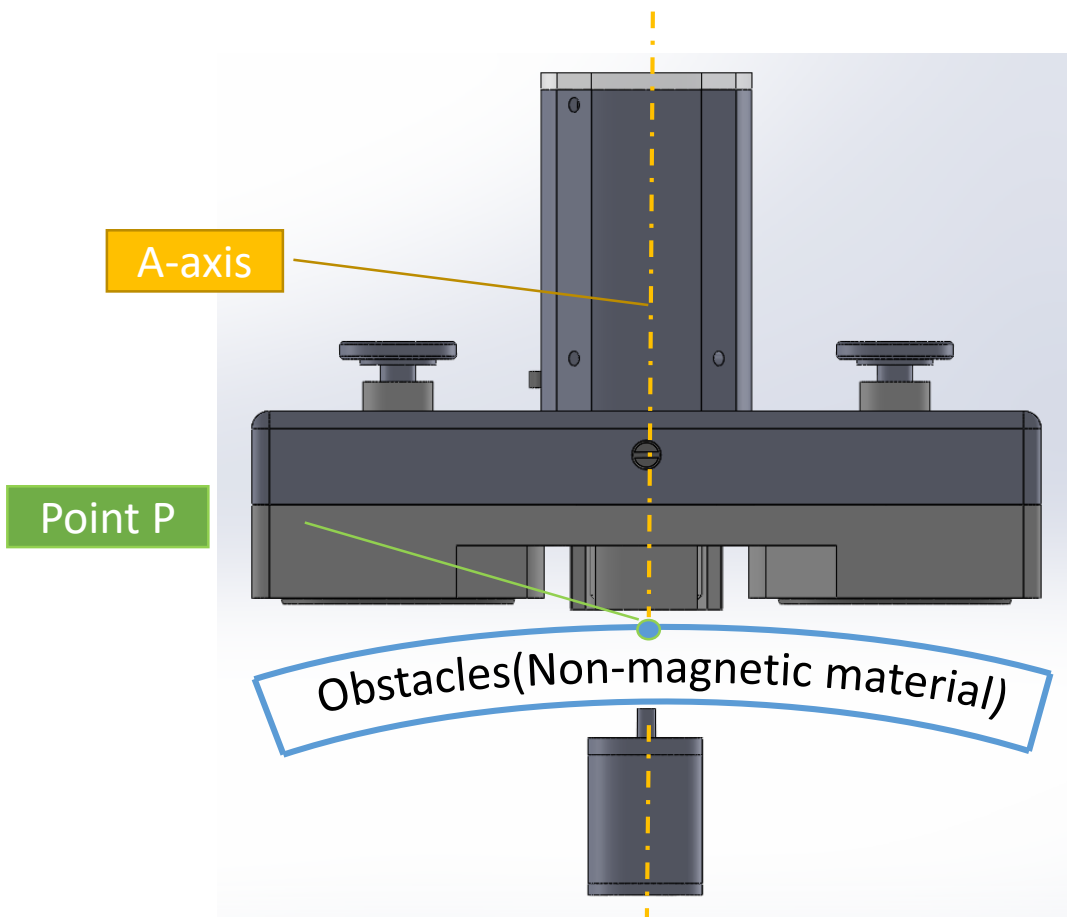
Description of PHS

Gyro detects magnetism of Transmitter and locates the position, When you moved Receiver on the basis of Back Sensor position.

✂ Indication of Receiver changes by a position of Transmitter. (see drawing below)



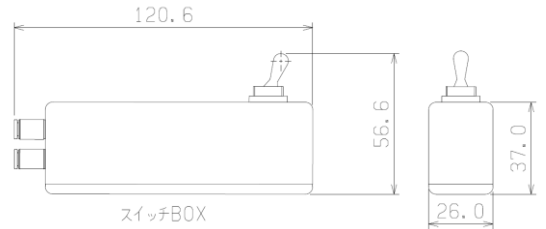
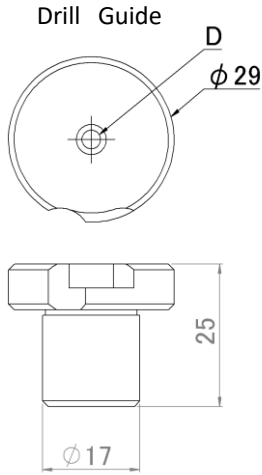
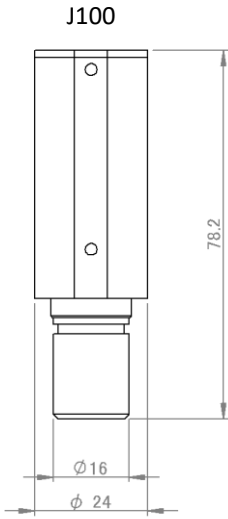
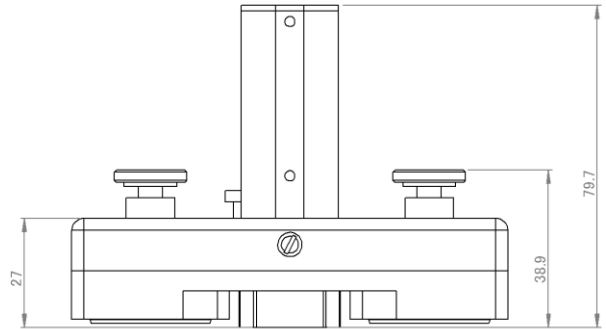
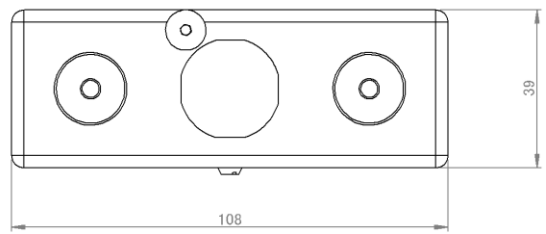
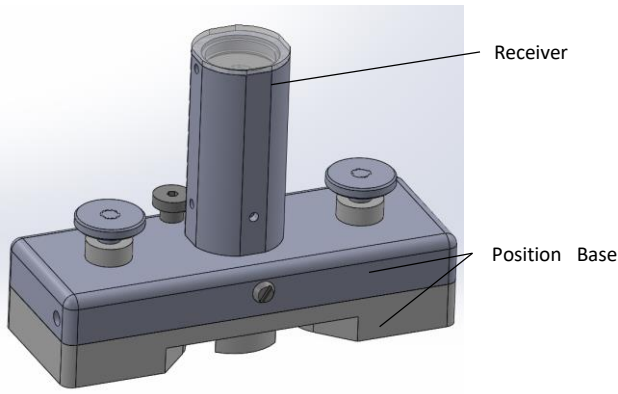
Point of PHS



- The A-axis is a normal line of point P.
- In the case of J300, the detection ability is 2.5inch(60mm).
- Even if the detection ability is more than 2.5inch(60mm) by your requirement, it is possible.

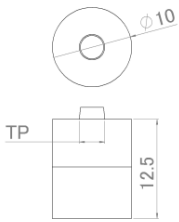
❌ The detection ability changes by Transmitter size .
Will be changed by Transmitter Size.

J100

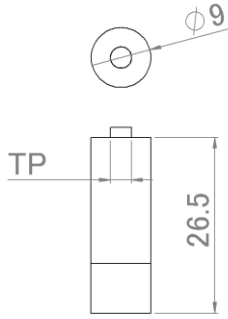


Transmitter List

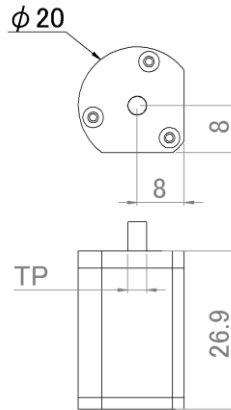
BS10-12.5-08-06-TP3.2-H00



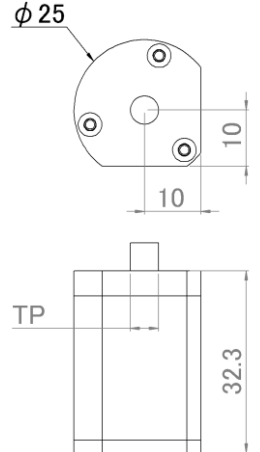
BS09-26.5-19.5-06-TP□-H00



BS20-26.9-13-12-TP□-H03



BS25-32.3-20-16-TP□-H03

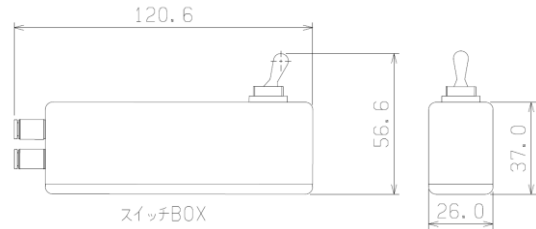
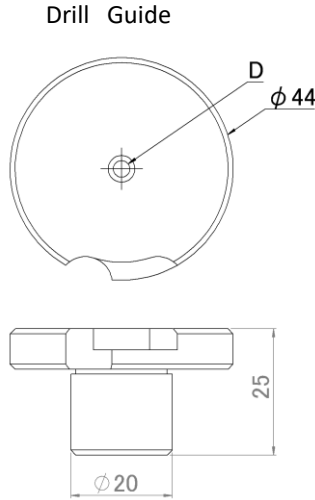
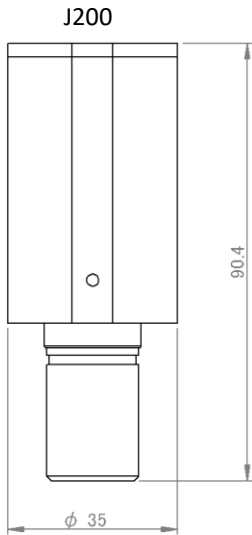
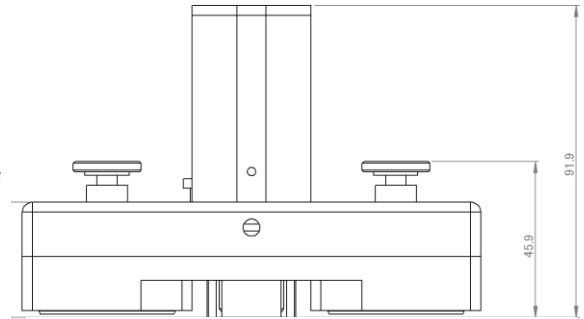
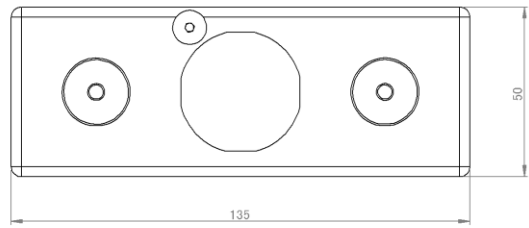
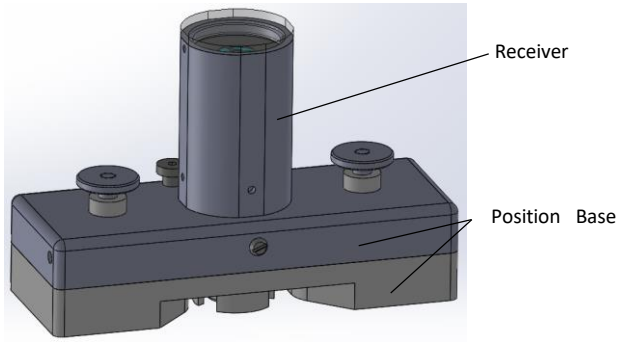


Ex) Order format

PHS-J100NM+BS09-26.5-19.5-06-TP3.2-H00+PA+D3.264+A-MPA2

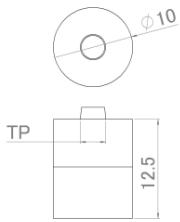
Type	Type of reaction to iron or not	Type of Back sensor	Position Base With or without?	Internal diameter of drill guide	Model number of air coupler
J100	NM Reaction to iron	BS10-12.5-08-06-TP3.2-H00	PA With Position Base	D3.264	A-MPA2
		BS09-26.5-19.5-06-TP3.2-H00		D5.055	A-CPP20-6B
	M Non-reaction to iron	BS09-26.5-19.5-06-TP2.43-H00	PN Without Position Base	DN Without drill guide	A-N Without air coupler
		BS20-26.9-13-12-TP3.2-H03			
		BS20-26.9-13-12-TP5.0-H03			
		BS25-32.3-20-16-TP3.2-H03			
		BS25-32.3-20-16-TP5.0-H03			

J200

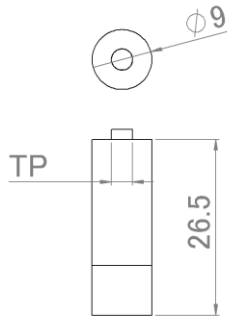


Transmitter List

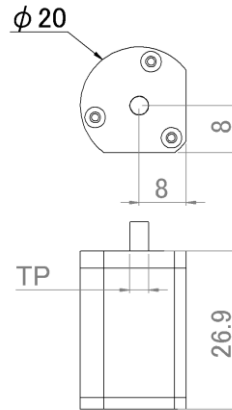
BS10-12.5-08-06-TP3.2-H00



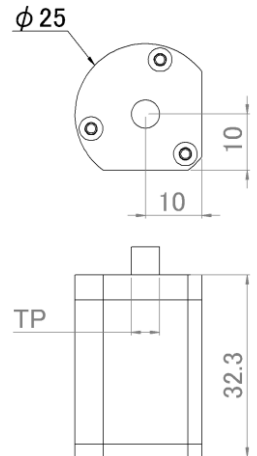
BS09-26.5-19.5-06-TP□ -H00



BS20-26.9-13-12-TP□-H03



BS25-32.3-20-16-TP□-H03

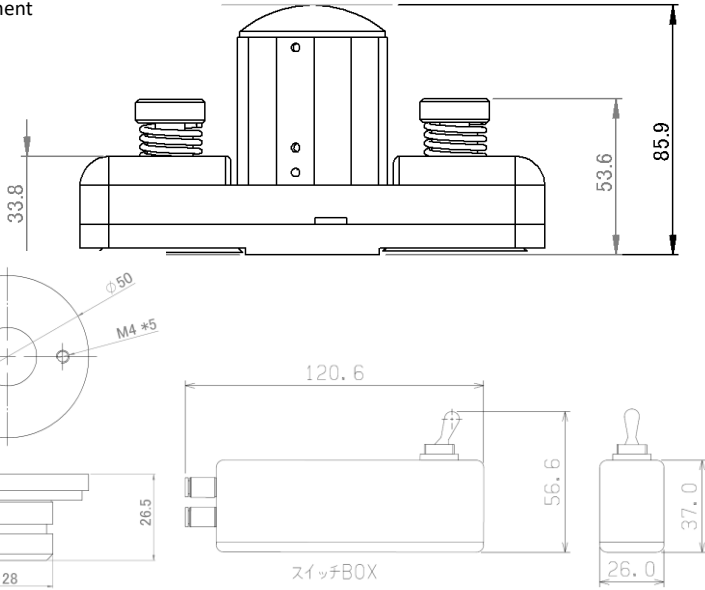
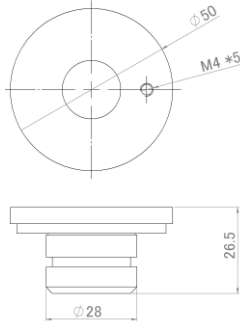
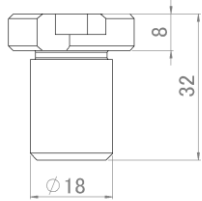
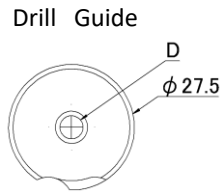
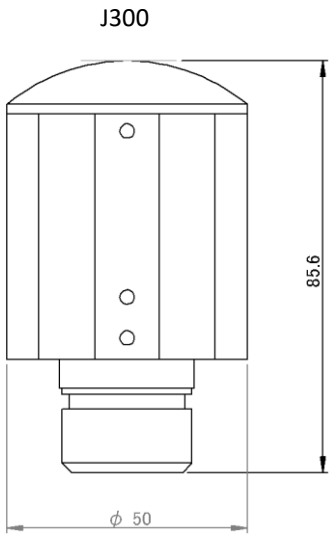
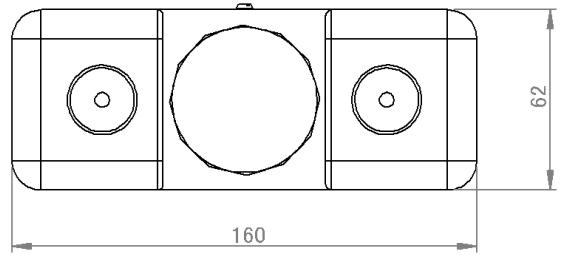
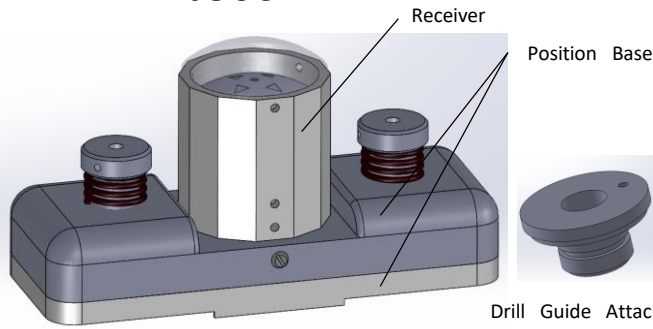


Ex) Order format

PHS-J100NM+BS09-26.5-19.5-06-TP3.2-H00+PA+D3.264+A-MPA2

Type	Type of reaction to iron or not	Type of Back sensor	Position Base With or without?	Internal diameter of drill guide	Model number of air coupler
J200	NM Reaction to iron	BS10-12.5-08-06-TP3.2-H00	PA With Position Base	D3.264	A-MPA2
	M Non-reaction to iron	BS09-26.5-19.5-06-TP3.2-H00	PN Without Position Base	D5.055	A-CPP20-6B
		BS09-26.5-19.5-06-TP2.43-00		DN Without drill guide	A-N Without air coupler
		BS20-26.9-13-12-TP3.2-H03			
		BS20-26.9-13-12-TP5.0-H03			
		BS25-32.3-20-16-TP3.2-H03			
		BS25-32.3-20-16-TP5.0-H03			

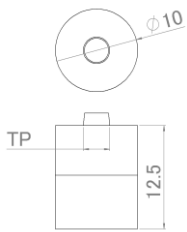
J300



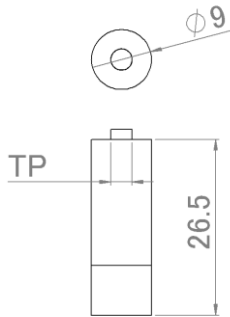
Drill Guide Attachment

Transmitter List

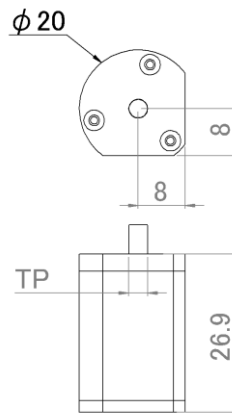
BS10-12.5-08-06-TP3.2-H00



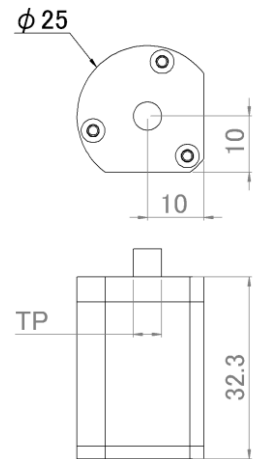
BS09-26.5-19.5-06-TP □-H00



BS20-26.9-13-12-TP □-H03



BS25-32.3-20-16-TP □-H03



Ex) Order format

PHS-J100NM+BS09-26.5-19.5-06-TP3.2-H00+PA+D3.264+A-MPA2

Type	Type of reaction to iron or not	Type of Back sensor	Position Base With or without?	Internal diameter of drill guide	Model number of air coupler
J300	NM Reaction to iron	BS10-12.5-08-06-TP3.2-H00	PA With Position Base	D3.264	A-MPA2
	M Non-reaction to iron	BS09-26.5-19.5-06-TP3.2-H00	PN Without Position Base	D5.055	A-CPP20-6B
		BS09-26.5-19.5-06-TP2.43-00		DN Without drill guide	A-N Without air coupler
		BS20-26.9-13-12-TP3.2-H03			
		BS20-26.9-13-12-TP5.0-H03			
		BS25-32.3-20-16-TP3.2-H03			
		BS25-32.3-20-16-TP5.0-H03			



KYOOKA

Y.tech

Design & Production
Kyooka.,Co.Ltd & Ytech.,Co.Ltd

TOKYO HEAD OFFICE
1-22-13 Higashiyama Meguro-ku
Tokyo 153-0043 , Japan

Tel +81-3-5724-6051
Fax +81-3-5724-6047

YAMAGATA FACTORY
4102-33 Izumita Shinjyou-shi Yamagata-ken
999-5103 , Japan

Tel +81-3-5724-6051
Fax +81-3-5724-6047